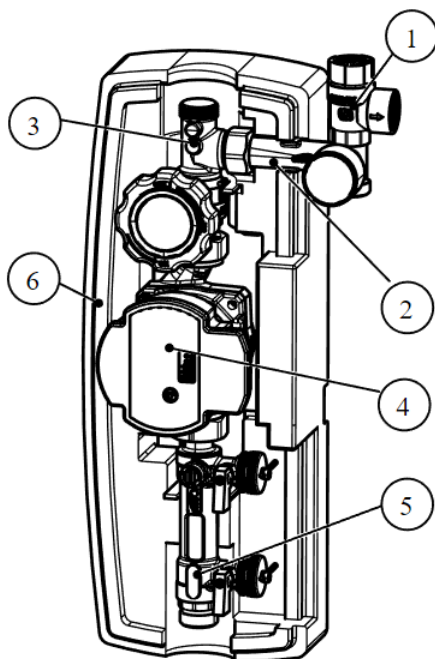


Pump group is a device that ensures and regulates the circulation of the solar fluid between the solar collectors and the tank. The group consists of a circulating pump as well as control and measuring devices. It can be used both for flat solar collectors and for vacuum collectors.

Parameter	Value
Dimensions	430x200x150
Max. pressure	6 bar
Flow range	1-6 l/min 2-14 l/min
Pressure gauge scale	0-10 bar
Thermometer scale	0-120 °C
Pump type	Wita OEM4 15-60 PWM2
Pump installation length	130 mm.
Body material	Brass
Insulation material	EPP
Sealing components	EPDM
Medium	Solar fluid only (non-toxic glycol-water mixture with corrosion inhibitors)



1. 6 BAR PRESSURE RELIEF VALVE
2. GROUP WITH A PRESSURE GAUGE
3. BALL VALVE WITH THERMOMETER 100°C
4. WITA OEM4 15-60 PWM2 CIRCULATING PUMP
5. ROTAMETER WITH SOLAR SYSTEM FILLING AND EMPTYING VALVES
6. EPP INSULATION